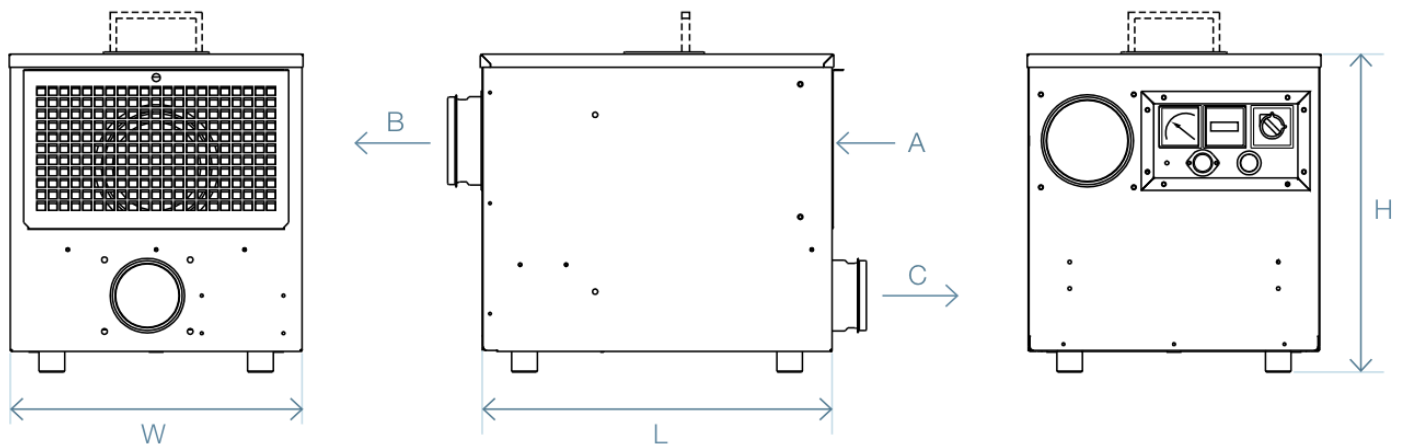


# COTES MOBILE

## CR120B-CR400B



- A REG. AIR/PROCESS AIR INLET
- B DRY AIR OUTLET
- C REG. AIR OUTLET

### TECHNICAL DATA

TYPE	DRY AIR NOMINAL	REG. AIR NOMINAL	VOLTAGE/ PHASES	CONNECTED LOAD	REG. AIR HEATER	EXTERNAL FUSES	EXTERNAL PRESSURE PROCESS AIR	EXTERNAL PRESSURE REG. AIR	CAPACITY AT 20°C 60% RH
	m <sup>3</sup> /h	m <sup>3</sup> /h							
CR120B	120	35	230/1N+PE	0,78	0,73	10	60	50	0,45
CR240B	240	40	230/1N+PE	1,05	0,94	10	50	50	0,8
CR290B	290	65	230/1N+PE	1,63	1,38	10	30	50	1,1
CR300B	300	65	230/1N+PE	1,50	1,38	10	80	50	1,1
CR400B	400	90	230/1N+PE	1,97	1,84	10	50	50	1,4

### DIMENSIONS & WEIGHT

TYPE	L mm	W mm	H mm	AIR INLET	DRY AIR OUTLET	REG. AIR OUTLET	WEIGHT kg
				A mm	B mm	C mm	
CR120B	330	320	316	240 x 205	Ø 100	Ø 50	13
CR240B	396	330	359	160 x 290	Ø 100	Ø 80	18
CR290B	396	330	359	160 x 290	Ø 100	Ø 80	19
CR300B	469	402	430	210 x 350	Ø 125	Ø 80	27
CR400B	469	402	430	210 x 350	Ø 125	Ø 80	28